



► Model 191XL

Flashing LED Hazardous Location Warning Light

The model 191XL is a hazardous location flashing signal light that comes standard in flashing mode and is field configurable to steady burn mode for maximum functionality.

Federal Signal's super bright LED array used in the 191XL produces intense light output and 50,000 hours of service. Increased shock and vibration resistance add to this unit's rugged industrial portfolio of features.

FEATURES

- Available in 24VAC/DC, 120-240VAC and 277VAC
- Five lamp/lens colors: Amber, Blue, Clear, Green and Red
- Flashing mode standard, configurable to Steady-burn
- 50,000 hour, vibration resistant LED lamp
- Dome guard included
- Available in 3/4-inch NPT pipe mount or surface mount
- Type 4X, IP66 enclosure
- Marine Listed
- UL and cUL Listed for Class I, Division 2, Groups A, B, C and D; Class II, Division 1, Groups E, F and G; and Class III

MODEL	VOLTAGE	OPERATING CURRENT	IN-RUSH CURRENT	FLASH RATE / MINUTE	MOUNT
191XL- * 024 **	24VAC/DC	0.40 amps	1.75 amps, 5.0 mS	60	3/4" NPT Pipe or Surface
191XL- * 120-240 **	120/240VAC	0.21/0.13 amps	2.0 amps, 0.25 mS	60	3/4" NPT Pipe or Surface
191XL-277 **	277VAC	0.13 amps	9.75 amps, 0.25mS	60	3/4" NPT Pipe or Surface

* Include (S) for Surface Mount Option (Example part number: 191XL-S024R for surface mount option, 191XL-024R for pipe mount)

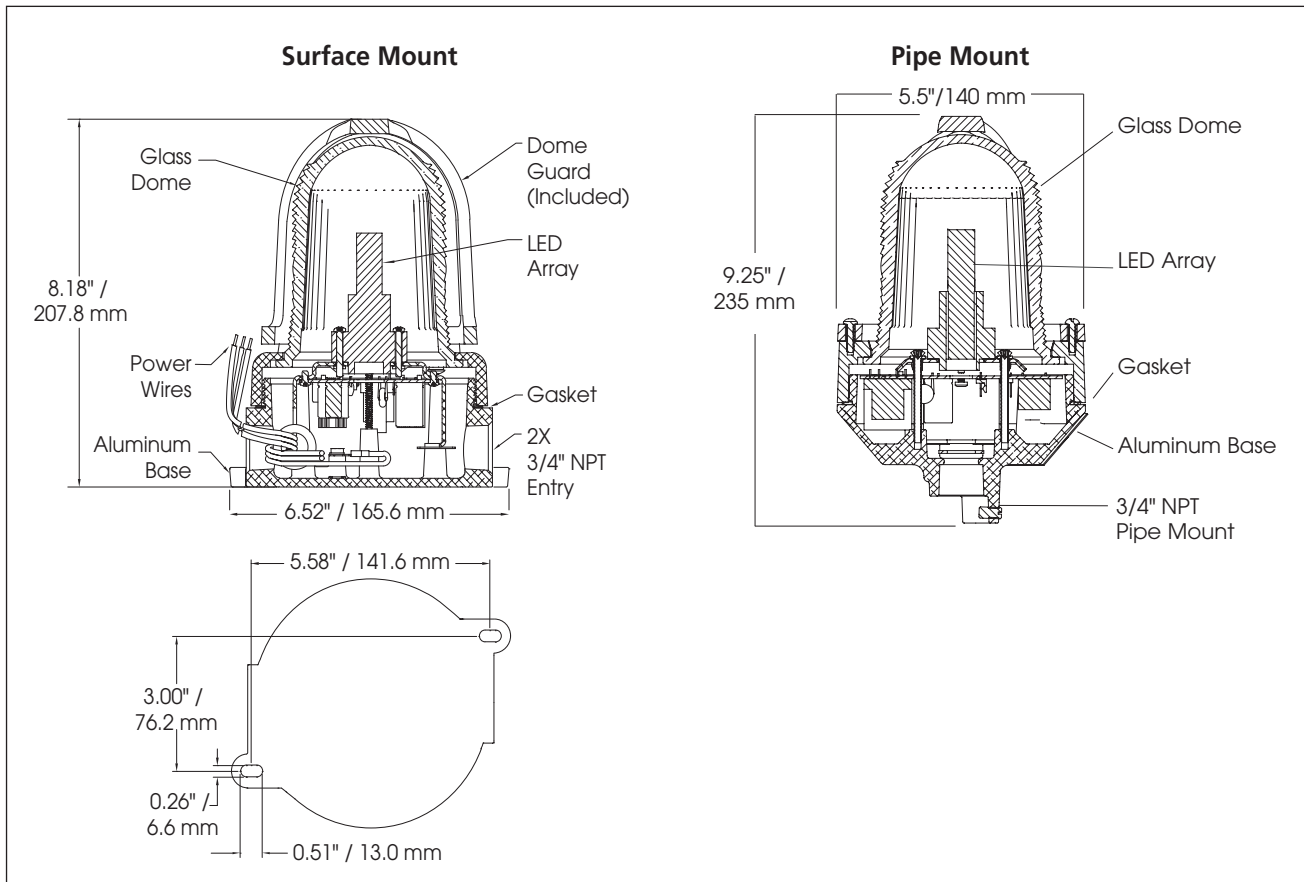
** Indicates color: (A) Amber, (B) Blue, (C) Clear, (G) Green or (R) Red

HAZARDOUS LOCATION RATING: 191XL

T-CODE AT MAXIMUM AMBIENT TEMPERATURE, °C

Hazardous Location	40°C			55°C			66°C		
	24 VAC/DC	100-265 VAC	277 VAC	24 VAC/DC	100-265 VAC	277 VAC	24 VAC/DC	100-265 VAC	277 VAC
Class I, Division 2, Groups A, B, C, D	T6	T6	T5	T5	T5	T5	T4A	T4A	T5
Class II, Division 1, Groups E, F, G	T6	T6	T5	T6	T6	T5	T6	T6	T5
Class III	T6	T6	T5	T6	T6	T5	T6	T6	T5

Hazardous Location LED Warning Light (191XL)



SPECIFICATIONS

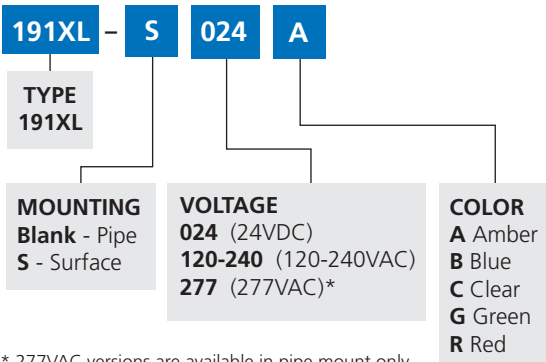
Lamp Life:	50,000 Hours	
Light Source:	LED Array	
Operating Temperature:	-58°F to 150°F	-50°C to 66°C
Net Weight:	4.0 lbs	1.82 kg
Shipping Weight:	4.25 lbs	1.93 kg
Height (with Dome Guard):	9.25"	235.0 mm
Diameter:	5.5"	140.0 mm

REPLACEMENT PARTS

Description	Part Number
LED array, Amber	K14700030A-A
LED array, Blue	K14700030A-B
LED array, Clear	K14700030A-W
LED array, Green	K14700030A-G
LED array, Red	K14700030A-R
PC Board Assembly, 24VDC	K2005455A
PC Board Assembly, 120/240VAC	K2005416A
PC Board Assembly, 277VAC	K2005416A-01
Glass Dome/Ring Assembly, Amber ¹	K8449078C-01
Glass Dome/Ring Assembly, Blue ¹	K8449078C-06
Glass Dome/Ring Assembly, Clear ¹	K8449078C-04
Glass Dome/Ring Assembly, Green ¹	K8449078C-07
Glass Dome/Ring Assembly, Red ¹	K8449078C
Guard, Dome	K8449090B

¹Assembly includes a gasket

HOW TO ORDER



* 277VAC versions are available in pipe mount only

OPTIONAL ACCESSORIES

Description	Part Number
Hazardous Location Mounting Bracket	LHWB
Mounting Bracket shown on pages 130-131	